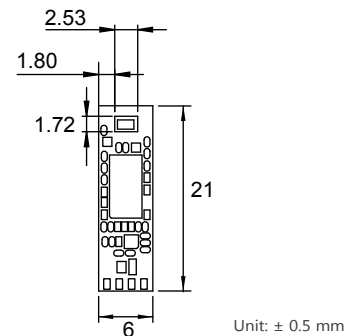


Specification

Model No.	B20906	B209M6
Display	Color	B/W
Orientation	Up View / Down View	
Frame Rate (Max.)	1280 x 720 @ 30 fps MJPG / 10 fps YUV	
Pixel Size (µm)	1.4 x 1.4	
Image Sensor	1/9" Digital CMOS Camera Module	
Image Area (mm)	1.819 x 1.033	
Scan Mode	Progressive	
Sensitivity	585mV / Lux-sec	
Dynamic Range	68.4dB @ 16 x gain	
UVC Format	MJPEG, YUY2	
Storage Temperature	-30 to 60 Degree C	
Working Temperature	-10 to 45 Degree C	
Interface	USB 2.0 (Compliant With USB Video Class 1.1 Standard)	
Lens (Specify when ordering)	76°	1.32 mm / F 2.0
	120°	F 4.0
	128°	1.00 mm / F 4.8
LED (Specify when ordering)	High Intensity / White / IR 850 / IR 940	
Shutter	Rolling	
Operating System	Windows XP, Windows Vista, Window 7, Windows 8	
Power Source	DC 5V	
Power Current	120 mA	
Dimensions (mm)	6 x 21	



Feature

- Miniature Size.
- High Performance.
- 720P HD Resolution.

B20906U
Up View



B20906D
Down View



MD-B20906U-76

SERIES	CONNECTOR	CAMERA TYPE	DISPLAY	LED	LENS
M Basic	UVC Signal	Up / Down View	Up View	LH High Intensity L White LED L8 IR 850 nm LED L9 IR 940 nm LED	76 1.32 mm / F 2.0 (76°) 120 F 4.0 (120°) 128 1.00 mm / F 4.8 (128°)
	D USB type A	B Board Type	20906U Color		
	M Micro USB OTG type B	VB Board Type + Dimmer	209M6U B/W		
	T USB type C		Down View		
	I USB mini type B		20906D Color		
			209M6D B/W		
			* U Up View		
			* D Down View		

* IR 940nm or IR 850nm LED is suggest to choose B/W camera type.
 * Camera with LED light source is suggested to use lens with larger F-Stop number.

Connector Information

