

Feature

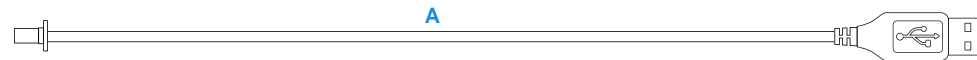
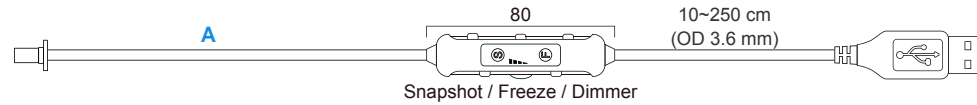
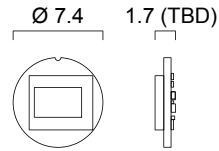
- Global shutter
- Miniature Size.
- Application for Industrial Automation, Biometric Automation and Surveillance Device.

Specification



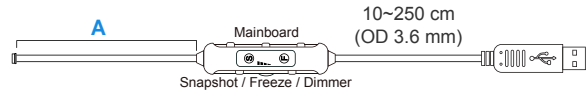
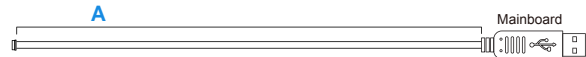
Model No.	B441CM8	
Series	FY	Y
Snapshot and Freeze Frame	Support	N/A
Feature	Low Temperature	
Interface	USB 3.0	
Resolution (TBD)	1280 x 800 @ 120 fps	
Video Format	MJPEG	
Image Sensor	1/4" CMOS B/W Camera Module	
Pixel Size (µm)	3.0 x 3.0	
Image Area (mm)	3.89 x 2.45	
Shutter	Global	
Sensitivity	TBD	
Dynamic Range	TBD	
Storage Temperature	-30 to 60 Degree C	
Working Temperature	-10 to 45 Degree C	
Lens	54	4.5 mm / F 2.8 (H= 46°; V= 30°; D= 54°)
(specify which lens)	54	4.5 mm / F 2.8 (H= 46°; V= 30°; D= 54°)
Power Source	DC 5V (USB)	
Power Current	TBD mA	
Operating System	Windows 10, Linux, Mac OSX	

B441CM8

No Lens



FYD-VB441CM8LH-54A

SERIES		CONNECTOR	CAMERA BODY	DISPLAY
USB 3.0 FY Low temperature with Snapshot and freeze frame Y Low temperature * F Snapshot and Freeze Frame		UVC Signal D USB Type A T USB Type C	Front View B Board Type VB Board Type + Dimmer T Tube Type V Tube Type + Dimmer	441CM8 B/W
LED		LENS	CABLE	
LH High-Intensity White LED L8 IR 850 nm LED L9 IR 940 nm LED		54 4.5 mm / F 2.8 (54°)	Camera Head to Mainboard (Section One) A Cable OD 2.8 +0.1 mm (Max. 200 cm)	
Connector Information  USB Type A  USB Type C		 		
* Camera with LED light source is suggested to use lens with larger F-Stop number				