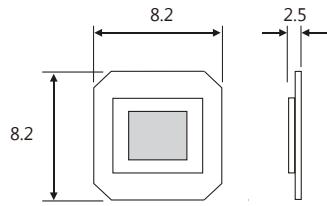
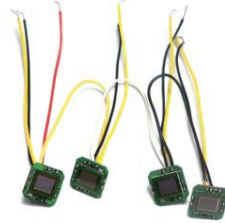


B6588  
No Lens



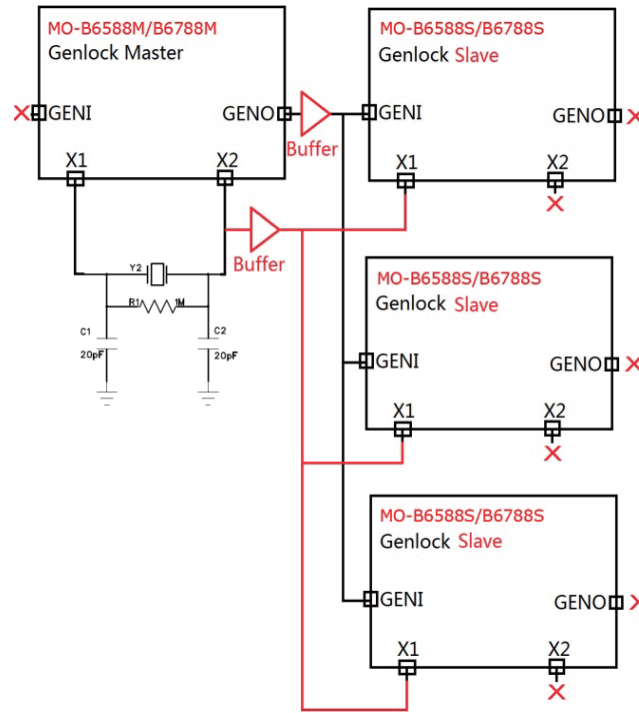
Unit: ±0.5mm



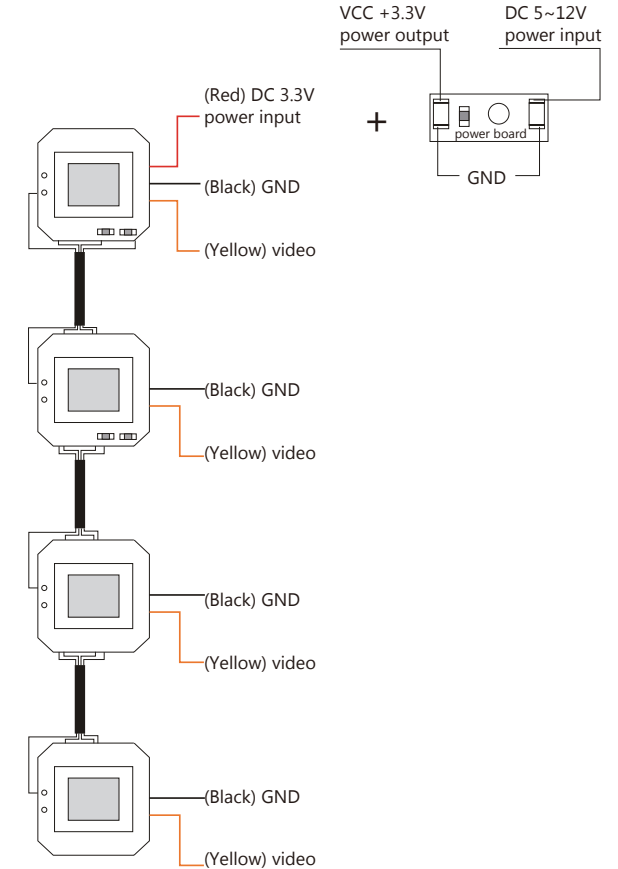
**Specification**

Model	B6588	B6788
Display	Color	B/W
Video System	NTSC / PAL (CCIR)	
Effective Pixels	648 x 488 (NTSC / EIA & PAL / CCIR)	
Image Area (mm)	3.888 x 2.928 (Diagonal: 4.86)	
Pixel Size (μm)	6 x 6	
Image Sensor	1/3.7" COLOR CCIQ III Genlock Camera	
Resolution (TV Lines)	550 TV Line	
S/N Ratio	47 dB	
Dynamic Range	63.3 [dB]	
Sensor Scan Mode	2:1 Interlaced	
Minimum Illumination	0.02Lux at F1.2 20IRE	
Sensitivity	8.2 [V/Lux.sec]	
Horizontal Sync Frequency	NTSC -15.734kHz, PAL - 15.625kHz	
Vertical Sync Frequency	NTSC - 60Hz, PAL - 50Hz	
Camera Consumption	0.45	
Video Output	1Vp-p, 75ohm composite	
Storage Temperature	-30 to 60 Degree C	
Working Temperature	-10 to 45 Degree C	
Power Source	Camera input: DC 3.3~4.2V	
Power Current	80 mA (max-DC 3.3V)	
Dimension (mm)	8.2 x 8.2	

**Genlock out / in**



**With power board description**



**MO-B6588A-2E**

SERIES	CONNECTOR	CAMERA BODY	DISPLAY	MICROPHONE	LENS
<b>M</b> Basic	<b>CVBS Signal</b> ○ Wires output	<b>Front View</b> <b>B</b> Board type	<b>Board Type</b> <b>6588</b> Color <b>6788</b> B/W	<b>A</b> External <b>N/A</b> None	<b>2E</b> 2.3 mm / F 2.6 Flat <b>3W</b> 2.83 mm / F 3.9 Flat <b>3T</b> 3.1 mm / F 3.4 Flat <b>3M</b> 3.4 mm / F 2.8 Flat <b>4F</b> 3.9 mm / F 3.9 Flat <b>4T</b> 4.3 mm / F 2.0 Flat <b>4H</b> 4.5 mm / F 2.8 Flat